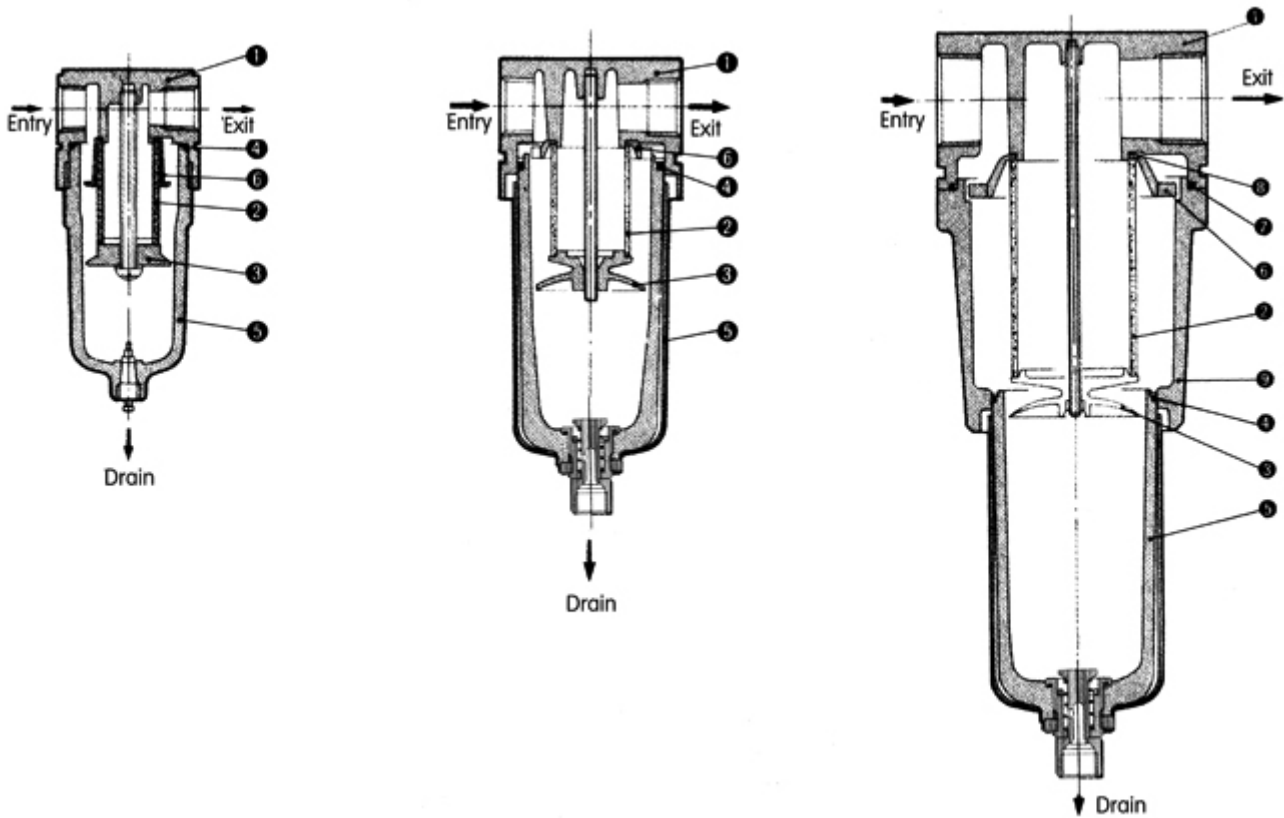


Air Filter AF1000-5000 Series

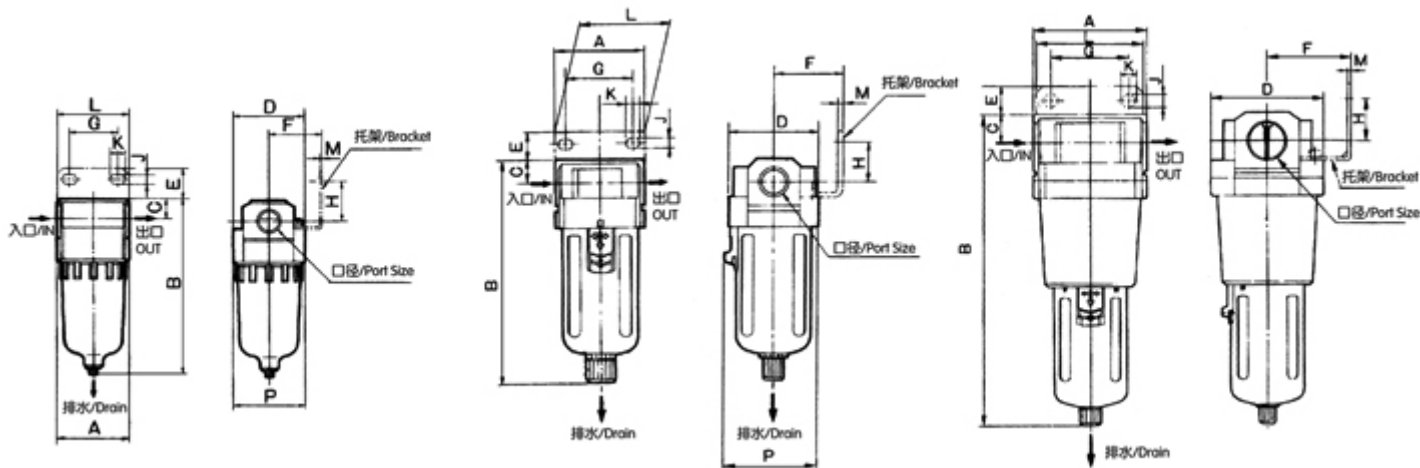


Ensured pressure Resistance	1.5MPa(15kgf/cm ²)
Highest Working Pressure	1.0MPa(10kgf/cm ²)
Ambient and Fluid Temperature	5-60℃
* Filter Precision	25 μm
Container Material	Polycarbonate
Protective Cover	AF1000-2000(Not Available) AF3000-5000 (Available)
* 5、50 μmavailable in addition	

Model	Specifications				Accessories	Drain Function	Auto Drain Model
	* Rated Flow (L/min)	Port Size (G)	Bowl Capacity CM3)	Weight (kg)	Bracket		
AF1000-M5	110	M5	4	0.07	-	Manual Drain	
AF2000-01	750	1/8	15	0.19	B240		AF2000-01D
AF2000-02		1/4					AF2000-02D
AF3000-02	1500	1/4	20	0.29	B340	a. Air Shut off Drain b. Manual Drain	AF3000-02D
AF3000-03		3/8					AF3000-03D
AF4000-03	4000	3/8	45	0.55	B440		AF4000-03D
AF4000-04		1/2					AF4000-04D
AF4000-06	6000	3/8	45	0.58	B540		AF4000-06D
AF5000-06	7000	3/8	130	1.08	B640	AF5000-06D	
AF5000-10		1				AF5000-10D	
Under the circumstance that the supply pressure is 0.7Mpa(7.1kgf/cm ²)and set pressure is 0.5Mpa (5.1kgf/cm ²) Rc.and NPT port size are available .							

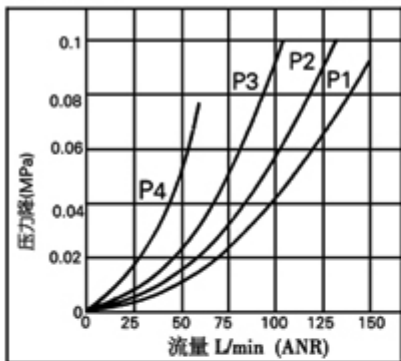


No.	Denomination	Material
1	Valve Body	Aluminum Die Casting
2	Valve Core	Brass
3	Drain Board	ABS
4	O-ring	Rubber
5	Water Storage Cup(Protective Cover)	Polycarbonate (Cold Rolled Sheet)
6	Whirlwind Blade	ABS
7	O-ring	Rubber
8	Sealing Washer	Rubber
9	Middle Part	Aluminum Die Casting

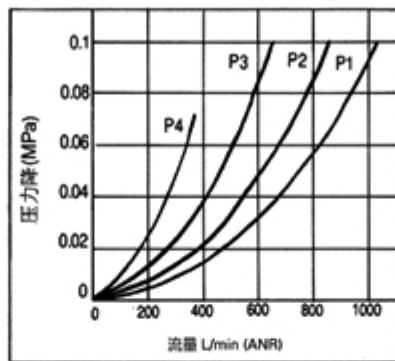


Modelo	Port size G	A	B	C	D	E	F	G	H	J	K	L	M	P
AF1000	M5	25	66	7	25	-	-	-	-	-	-	-	-	26.5
AF2000	1/8-1/4	40	97.5	11	40	17	30	27	22	5.4	8.4	40	2.3	40
AF3000	1/4-3/8	53	132.5	14	53	16	41	40	23	6.5	8	53	2.3	56
AF4000	3/8-1/2	70	168.5	18	70	17	50	54	26	8.5	10.5	70	2.3	73
AF4000-06	3/4	75	172.5	20	70	14	50	54	25	8.5	10.5	70	2.3	73
AF5000	3/4-1	90	247.5	24	90	23	66.5	66	35	11	13	90	3.2	90

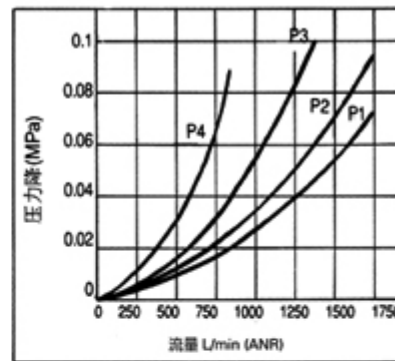
AF1000 M5 x 0.8



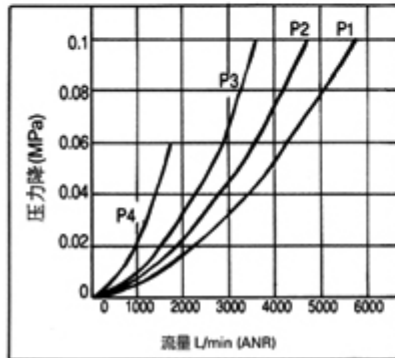
AF2000 1/8 - 1/4



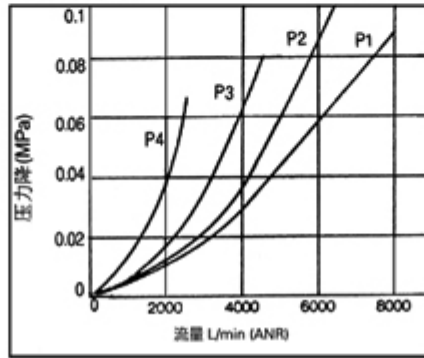
AF3000 1/4 - 3/8



AF4000 3/8 - 1/2



AF4000-06 3/4



AF5000 3/4 - 1

