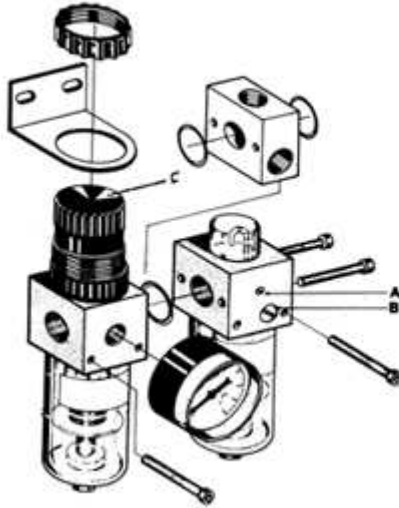


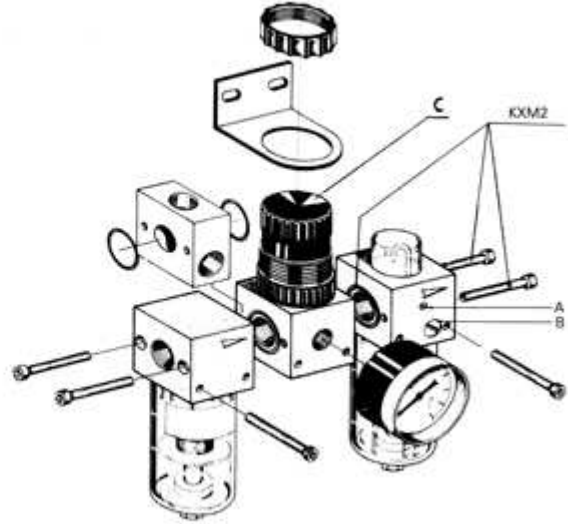
Connection Mode

Connecting Mode of Double-link Unit



XFRU4+XL4

Connecting Mode of Triple-link Unit



XF4+XR4+XL4

Note :

A- Adjusting needle value :Adjust oil quantity

B- Filler hole ; When filling oil , first cut off the air source , then remove B and add oil the specified height .After filling oil , fix B to ensure the air-tightness .

C- Pressure adjusting hand wheel ; When adjusting pressure , lift C vertically to the position for adjustment . Turn C and adjust until the required pressure is obtained . Then hold down vertically to keep the pressure stable .