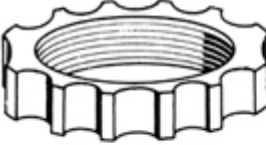
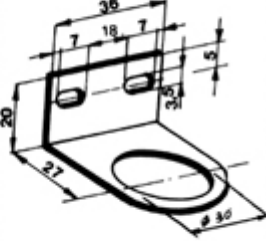
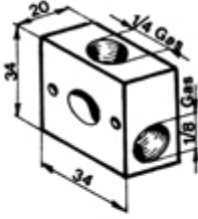




Accessories

Joint Cap XRG	Bracket XSG	Middle Part XIR	Pressure Gage	Reducer 0161310
 A technical drawing of a joint cap, showing a flanged top with a serrated edge and a threaded bottom section.	 A technical drawing of a bracket with dimensions: 36 (width), 7 (height of top flange), 18 (width of top flange), 7 (height of vertical support), 5 (height of bottom flange), 20 (height of vertical support), 27 (width of bottom flange), and $\phi 30$ (diameter of hole).	 A technical drawing of a middle part, a rectangular block with dimensions: 20 (width), 34 (height), and 34 (depth). It features two ports labeled $1/4$ Gas and $1/8$ Gas.	 A photograph of a pressure gauge with a circular dial. The dial has two scales: the outer scale is in MPa (0 to 1.2) and the inner scale is in PSI (0 to 120). The needle points to approximately 0.4 MPa.	 A photograph of a metal reducer fitting, showing a hexagonal top with a threaded section and a smaller diameter threaded section at the bottom.